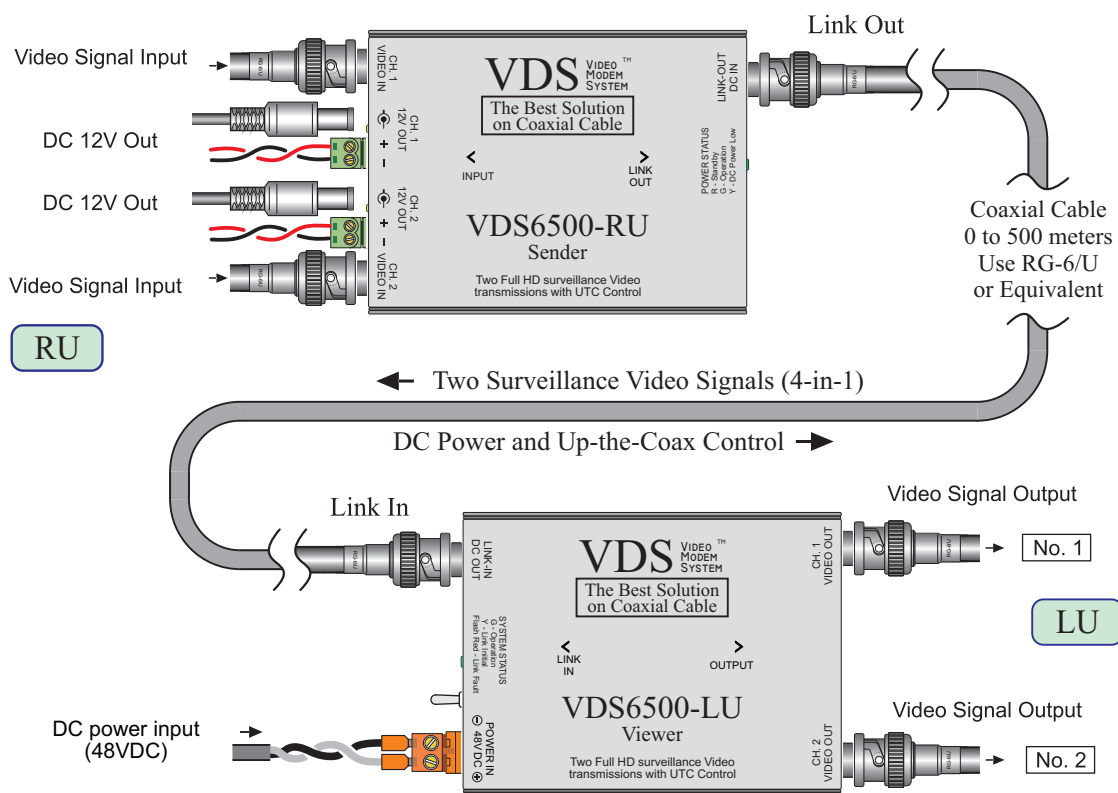


# VDS6500 Transmission Set

## Features

- Two HD CCTV cameras Transmission Set.
- AHD, TVI, CVI formats, and CVBS signals (4-in-1).
- HD can transmits up to 4M Pixel.
- Sends DC power from Local side to Remote side, at the same time reverse send video signals use a single coaxial cable.
- Provide Up-the-Coax transmission.
- Reach to 500 meters for transmission distance.
- No Hum, No Twist on Video.
- Used the safety mode to send DC power, due to the use of coaxial cable and BNC connector.
- Good Video Quality, no smear.



### Specification of VDS6500-RU Sender

Electrical Specifications (6500-RU)	
DC Power Output Capability	DC12V, 30W. (2.5A)
Video Input Level	1.0Vpp @ 75 ohms

Physical Specifications (6500-RU)	
Unit Dimensions	(L x W x H): 100mm x 75mm x 25mm
Weight	198 grams

### Specification of VDS6500-LU Viewer

Electrical Specifications (6500-LU)	
Video Signal Bandwidth	45MHz
Video Output Level	1.0Vpp @ 75 ohms

Physical Specifications (6500-LU)	
Unit Dimensions	(L x W x H): 100mm x 75mm x 25mm
Weight	195 grams