

VDS6500 Video Transmission Dual Link

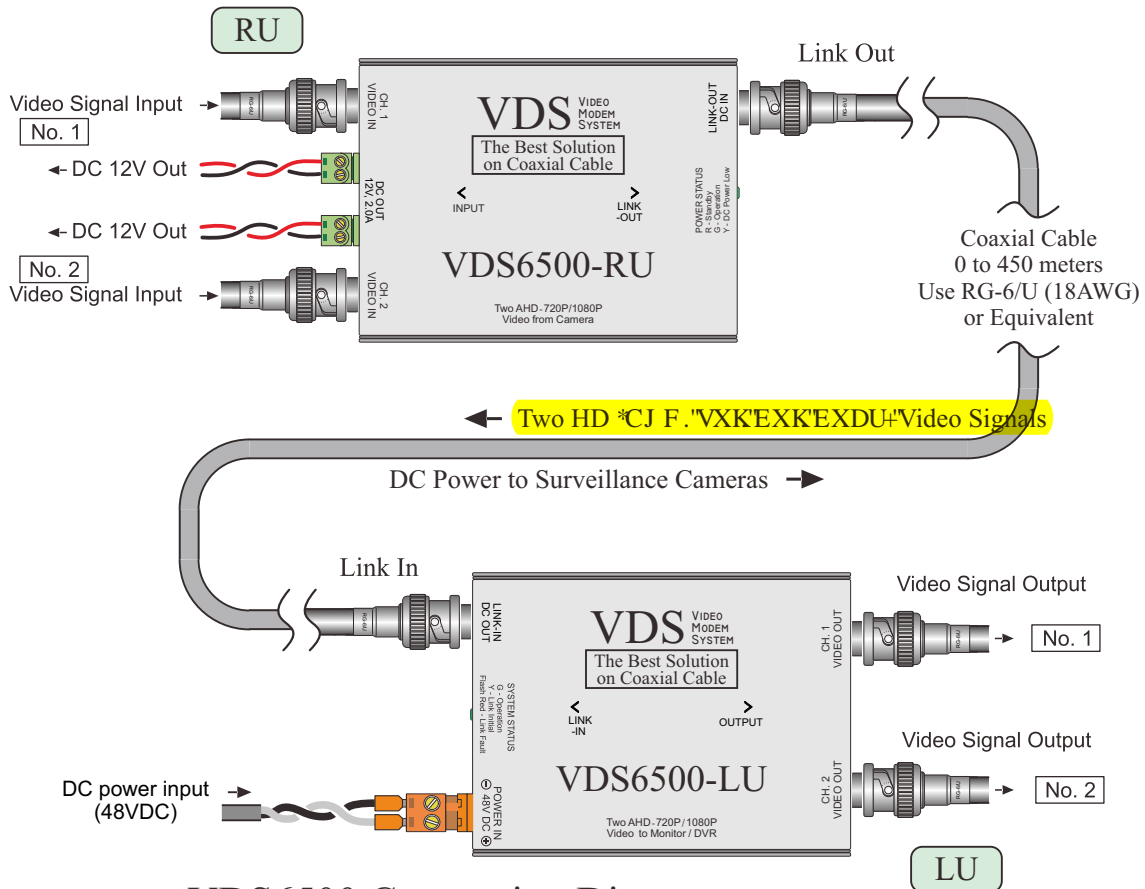


AHD 1080P

Features

- Two HD (Analog HD) CCTV cameras, such as 720p and 1080p resolutions Transmission.
- **Sends DC power (Safety methods) from Local side to Remote side,** at the same time reverse send video signals use a single coaxial cable.

- More than 450 meters of transmission distance from Local Unit to Remote Unit.
- **Supports UTC (Up the Coaxial) function**
- Used the safety mode to send DC power, due to the use of coaxial cable and BNC connector.
- **Good Video Quality, no smear.**



VDS6500 Connection Diagrams

Specification of VDS6500-RU Sender

Electrical Specifications (6500-RU)	
DC Power Output Capability	DC12V, 36W. (3.0A)
Video Input Level	1.0Vpp @ 75 ohms

Physical Specifications (6500-RU)	
Unit Dimensions	(L x W x H): 100mm x 75mm x 25mm
Weight	280 grams

Specification of VDS6500-LU Viewer

Electrical Specifications (6500-LU)	
Video Signal Bandwidth	45MHz
Video Output Level	1.0Vpp @ 75 ohms

Physical Specifications (6500-LU)	
Unit Dimensions	(L x W x H): 100mm x 75mm x 25mm
Weight	220 grams

Contact
info@biwave.com

Biwave Technologies, Inc.
Phone: +886-2-2735-5511

Biwave
www.biwave.com